

# CPSCP - FSQCP / BP

Intelocked panel switch sockets & plugs



### Installation

hazardous areas - Zone 1 / 2 (Gases) - Zone 21 / 22 (Dusts)

### Classification

Group II - Category 2G 2D

### Reference standards

Directive 2014/34/EU	
Execution	Ⓜ Ex II 2 G Ex db IICT6...T4 Gb Ⓜ Ex II 2 D Ex tb IIIC T85 °C...T135 °C Db
Rules of compliance	EN/IEC 60079-0, EN/IEC 60079-1, EN/IEC 60079-31
EU Type-Examination Certificate	INERIS 18 ATEX 0015X
Protection degree	IP66
Ambient temperature	-60 °C ÷ +60 °C
Other available certificates	IECEX: IECEX INE 18.0009X EAC: TC RU C-IT.BH02.B.00608 (-60°C ÷ +60°C) RUSSIAN MARINE CERTIFICATE (RMRS): 19.02523.280 INMETRO: CEPTEL 14.2323X CCC: 2020122308113750 ECASEx: 23-06-22481/Q23-06-048569/NB0002

### Mechanical characteristics

Body	marine grade copper free aluminium light alloy
Cover	marine grade copper free aluminium light alloy
Screws	stainless steel
Pins	brass

### On Request Accessories

- External epoxy painting with colour on request
- Cable entries with different threads from standards

### Technical features

CODE	A [mm]	Temperature class (gas)	Temperature class (dusts)	Weight [kg]	Detail
CPSCP*/CPH	243	T6	T85 °C	1,50	A
FSQCP*/BP	255	T6	T85 °C	2,00	B
FSQCP125*/BP125	310	T6	T85 °C	5,00	C

\* Without enclosure (to be ordered separately)

### Interlocked sockets

Socket code	Poles	Voltage (50/60Hz)	Current
CPSCP224	2P+T (PE)	24 V	16 A
CPSCP224-25A	2P+T (PE)	24 V	25 A
CPSCP248	2P+T (PE)	48 V	16 A
CPSCP248-25A	2P+T (PE)	48 V	25 A
CPSCP211	2P+T (PE)	110/130 V	16 A
CPSCP211-25A	2P+T (PE)	110/130 V	25 A
CPSCP222	2P+T (PE)	220/250 V	16 A
CPSCP222-25A	2P+T (PE)	220/250 V	25 A
CPSCP338	2P+T (PE)	380/500 V	16 A
CPSCP338-25A	3P+T (PE)	380/500 V	25 A
CPSCP438-25A	3P+N+T (PE)	380/500 V	25 A

### Interlocked sockets with circuit breaker

Socket code	Poles	Voltage (50/60Hz)	Current
FSQCP235	2P+T (PE)	220/250V	32 A
FSQCP335	3P+T (PE)	380/415V	32 A
FSQCP435	4P+T (PE)	380/500V	32 A
FSQCP260	2P+T (PE)	220/250V	63 A
FSQCP360	3P+T (PE)	380/500V	63 A
FSQCP460	4P+T (PE)	380/500V	63 A

### 125a interlocked sockets and plugs

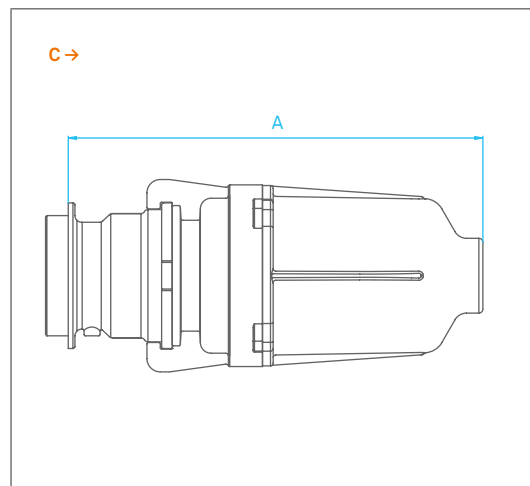
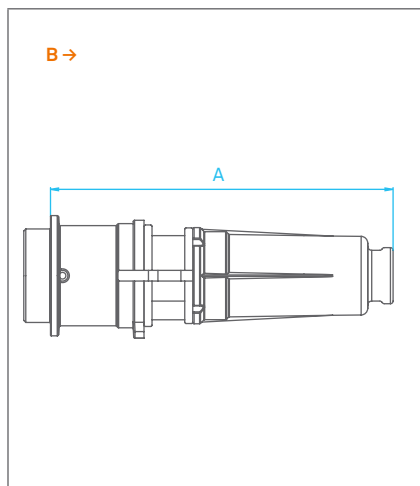
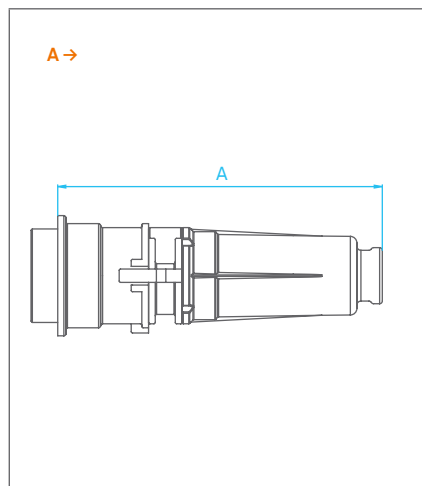
Socket code	Plug code	Poles	Voltage (50/60Hz)	Current
FSQCP125-3	BP125-3	3P+T (PE)	380/500 V	125 A
FSQCP125-4	FSQCP125-4	4P+T (PE)	380/500 V	125 A

### Sockets and plugs colour marking for industrial applications

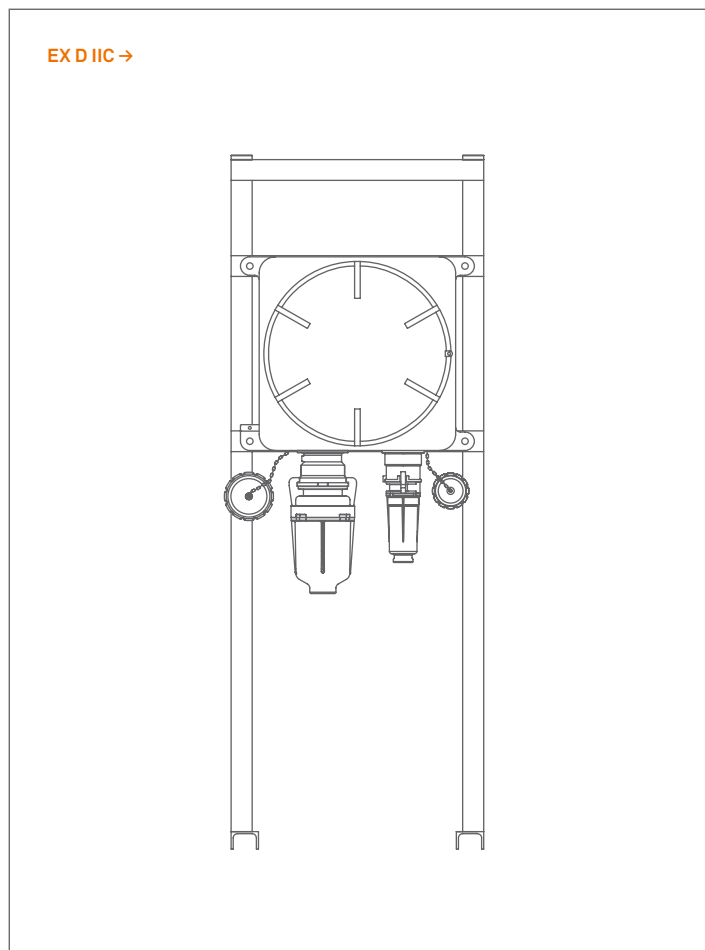
Colour	Nominal working voltage
violet	20-25 V
white	40-50 V
yellow	100-130 V
blue	200-250 V
red	380-480 V
black	480-500 V

NOTE: Please refer to cpssc/fsqc bulletin for industrial application sockets and plugs colour marking

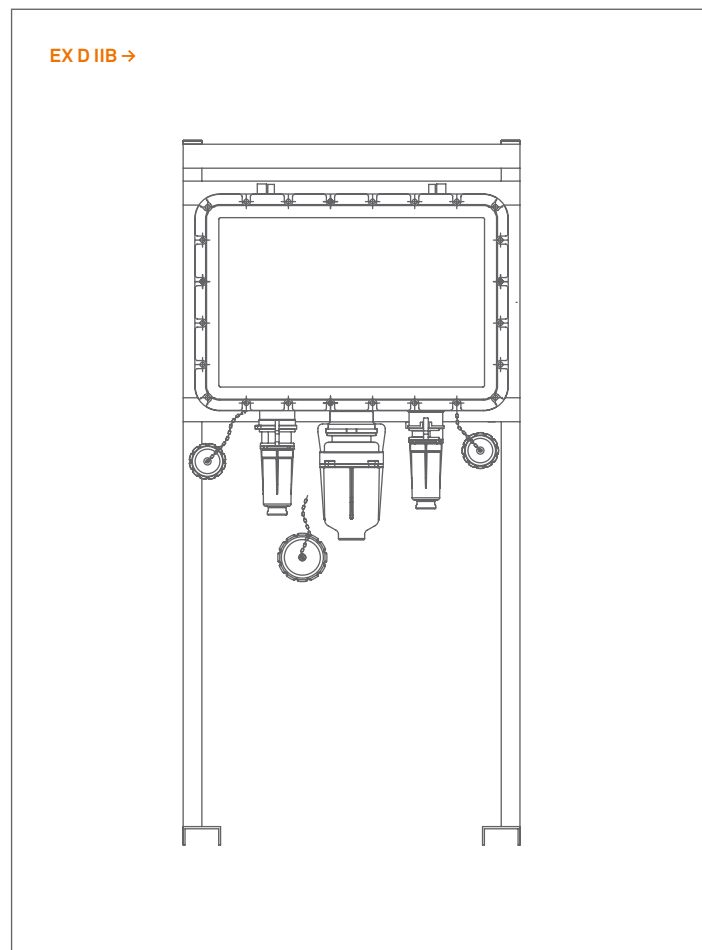
**Reference details**



**Typical assembling**



**Typical assembling**



REMARK:  
 Due to the development of the national and international specifications and of the technology, the above technical characteristics showed on this bulletin can be considered as binding on our confirmation only.