

GWRCS

grp ex-de push button stations



Installation

hazardous areas - Zone 1 / 2 (Gases) - Zone 21 / 22 (Dusts)

Classification

Group II - Category 2G 2D

Reference standards

directive 2014/34/EU	
Execution	Ⓢ II 2 G Ex de ia/ib mb IIC T6 or T3 Gb Ⓢ II 2 D Ex tb IIIC T85 °C or T100 °C Db
Rules of compliance	EN/IEC 60079-0; EN/IEC 60079-1; EN/IEC 60079-7; EN/IEC 60079-11; EN/IEC 60079-18; EN/IEC 60079-31
EU Type-Examination Certificate	INERIS 13 ATEX 0042
Protection degree	IP66
Ambient temperature	-50 °C ÷ +60 °C
Other available certificates	Component: INERIS 13ATEX 9009U IECEx: IECEx INE 13.0058 IECEx (component): IECEx INE 13.0021U INMETRO: CEPEL 13.2287 INMETRO (component): CEPEL 13.2273U EAC: TC RU C-IT.ГБ02.B.00660/20 ECASEx: 23-06-22481/Q23-06-048569/NB0002 NEC 505: UL 20141112-E465037 - Type rating NEMA 1, 12, 4 and 4X ITRI: ML041200701DI4

Mechanical characteristics

Body	glass fibre reinforced polyester resin color dark grey RAL 7021
Cover	glass fibre reinforced polyester resin color dark grey RAL 7021
Screws	stainless steel
Internal plate	stainless steel - aluminium
Gasket	silicon
Streight	4 Joule impact resistance

On Request Accessories

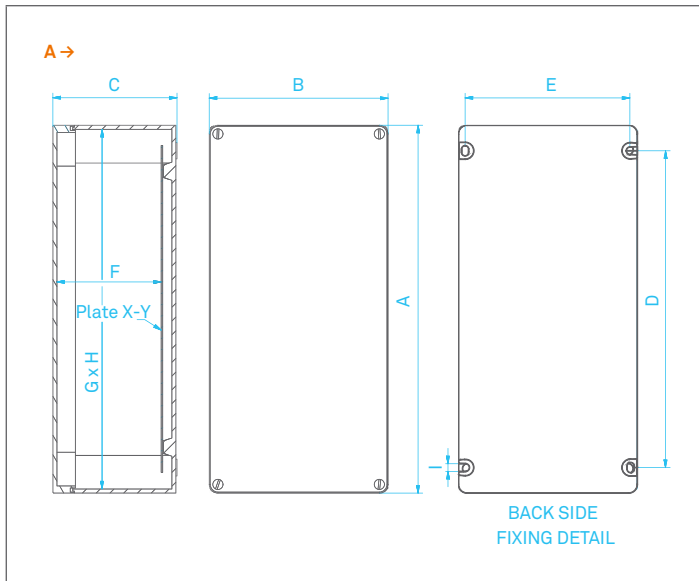
- Drain and breather valves

Indicative quantity of terminals and relevant section

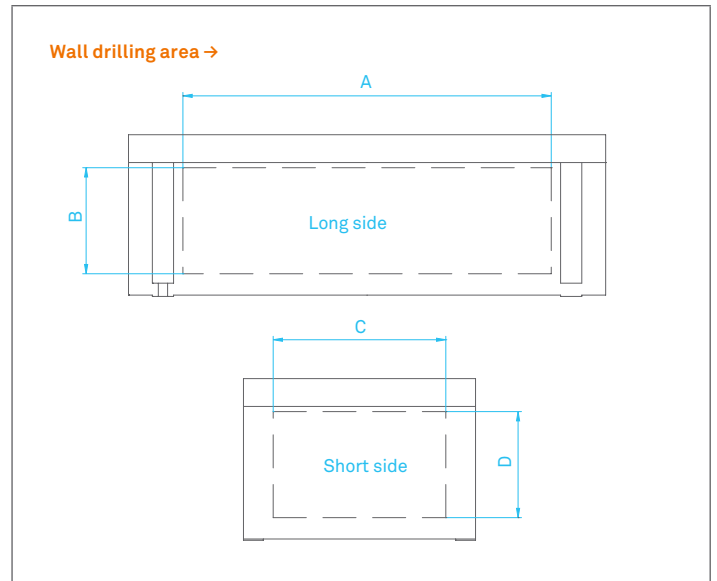
Code	A [mm]	B [mm]	C [mm]	D [mm]	E [mm]	F [mm]	G [mm]	H [mm]	I [mm]	Int. plate X-Y [mm]	Weight [kg]	Detail
GWR22 ⁽¹⁾	175	175	121	162	125	100	167	167	7	135 - 135	1,25	A
GWR42 ⁽¹⁾	360	175	121	310	161	102	352	167	7	320 - 135	2,50	A
GWR44 ⁽¹⁾	360	360	121	346	307	102	352	352	7	320 - 320	3,40	A
GWR84 ⁽¹⁾	730	360	168	670	340	147	720	350	8	670 - 310	8,00	A

⁽¹⁾ Enclosure's colour: N=dark grey RAL 7021 - B: light blue RAL 5015. Examples: GWR22n - GWR42b

Reference details



Reference details



Body enclosures indicative maximum quantity of holes of the same size

Enclosure code	Drilling area A-B long side							
	Quantity allowed entries for size (from 1 to size 8)							
GWR22	5	3	2	2	1	1	1	-
GWR42	12	8	7	5	4	4	3	-
GWR44	12	8	7	5	4	4	3	-
GWR84	35	23	20	17	13	9	7	5

Enclosure code	Drilling area C-D short side							
	Quantity allowed entries for size (from 1 to size 8)							
GWR22	5	3	2	2	1	1	1	-
GWR42	5	3	2	2	1	1	1	-
GWR44	12	8	7	5	4	4	3	-
GWR84	17	11	9	8	6	4	3	2

Indicative quantity of terminals and relevant section

Enclosure Code	Sect. 2,5 [sq/mm]	Sect. 6,0 [sq/mm]	Sect. 10,0 [sq/mm]	Sect. 16,0 [sq/mm]	Sect. 35,0 [sq/mm]	Sect. 50,0 [sq/mm]	Sect. 70,0 [sq/mm]	Sect. 240,0 [sq/mm]	Int. plate X - Y [mm]
GWR22	18 x 2	10 x 2	10 x 1	8 x 1	6 x 1	4 x 1	4 x 1	-	135 - 135
GWR42	48 x 2	16 x 2	16 x 2	20 x 1	12 x 1	4 x 1	4 x 1	-	320 - 135
GWR44	48 x 3	37 x 2	34 x 2	29 x 2	12 x 2	16 x 1	16 x 1	4 x 1	320 - 320
GWR84	92 x 3	74 x 3	68 x 3	58 x 3	32 x 2	32 x 2	32 x 2	14 x 1	670 - 310

REMARK:

Due to the development of the national and international specifications and of the technology, the above technical characteristics showed on this bulletin can be considered as binding on our confirmation only.