

# EFSC

## Rotary switches and selector switches

EFSC1... →



EFSC3... →



EFSC5... →



### Installation

hazardous areas - Zone 1 / 2 (Gases) - Zone 21 / 22 (Dusts)

### Classification

Group II - Category 2G 2D

### Reference standards

Directive 2014/34/EU	
Execution	⊕ II 2 G Ex d IIC T6/T5 Gb ⊕ II 2 D Ex tb IIIC T85 °C/ T100 °C Db
Rules of compliance	EN/IEC 60079-0; EN/IEC 60079-1; EN/IEC 60079-31
EC Type-Examination Certificate	INERIS 04 ATEX 0076X
Protection degree	IP66
Ambient temperature	-60 °C ÷ +60 °C
Other available certificates	IECEX: IECEX INE 11.0033X INMETRO: CEPTEL 13.2255X EAC: TC RU C-IT.BH02.B.00608 RUSSIAN MARINE CERTIFICATE (RMRS): 19.02523.280 CCC: 2020122304113843 KC: in progress ECASEx: in progress

### Mechanical characteristics

Body	marine grade copper free aluminium light alloy
Cover	marine grade copper free aluminium light alloy
Screws	stainless steel
Gasket	NBR rubber sealing ring

### On Request Accessories

- External epoxy painting with colour on request
- Different threads from standards

**Technical features**

Code	A [mm]	B [mm]	C [mm]	D [mm]	Ø E [mm]	Temperature class (gas)	Temperature class (dust)	Weight [kg]	Detail
EFSC1...	120	135	95	55	3/4" NPT	T6 / T5	T85 °C / T100 °C	0,90	A
EFSC3...	140	150	100	80	1" NPT	T6 / T5	T85 °C / T100 °C	0,90	B
EFSC5...	165	170	150	115	-	T6 / T5	T85 °C / T100 °C	1,80	C

Code on/off switches 500 V 50/60 Hz					
1 Pole	2 Poles	3 Poles	4 Poles	Rate [In]	Detail
EFSC11	EFSC12	EFSC13	-	16A	A
EFSC3125	EFSC3225	EFSC3325	EFSC3425	25A	B
EFSC5125	EFSC5225	EFSC5325	EFSC5425	25A	C
EFSC3132	EFSC3232	EFSC3332	EFSC3432	32A	B
EFSC5132	EFSC5232	EFSC5332	EFSC5432	32A	C

Code two way switches 500 V 50/60 Hz					
1 Pole	2 Poles	3 Poles	4 Poles	Rate [In]	Detail
EFSC11D	EFSC12D	-	-	16A	A
EFSC3125D	EFSC3225D	EFSC3325D	(1)	25A	B
EFSC5125D	EFSC5225D	EFSC5325D	(1)	25A	C
EFSC3132D	EFSC3232D	EFSC3332D	(1)	32A	B
EFSC5132D	EFSC5232D	EFSC5332D	(1)	32A	C

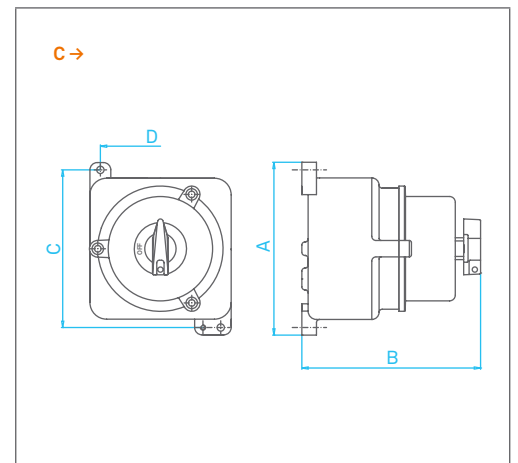
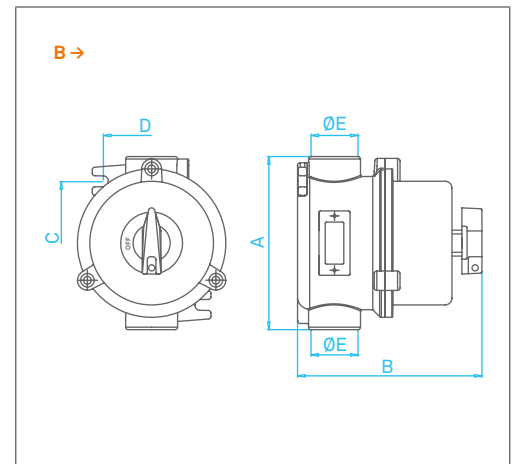
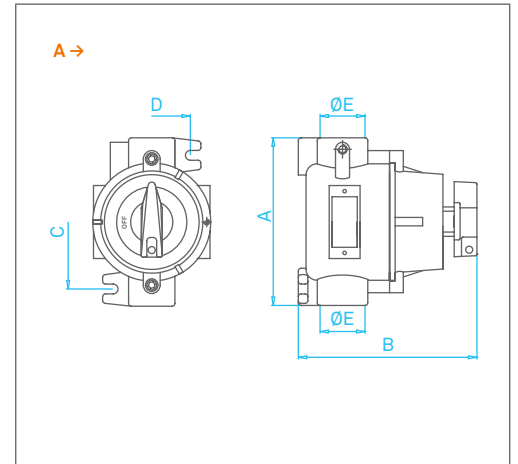
(1): On request only

Code change over switches 500 V 50/60 Hz					
1 Pole	2 Poles	3 Poles	4 Poles	Rate [In]	Detail
EFSC11C	EFSC12C	-	-	16A	A
EFSC3125C	EFSC3225C	EFSC3325C	(1)	25A	B
EFSC5125C	EFSC5225C	EFSC5325C	(1)	25A	C
EFSC3132C	EFSC3232C	EFSC3332C	(1)	32A	B
EFSC5132C	EFSC5232C	EFSC5332C	(1)	32A	C

(1): On request only

Selector switches 500 V 50/60Hz					
Code	Rate [In]	Code	Rate [In]	Diagram	Detail
EFSC310R	10A	EFSC316R	16A	R	B
EFSC310X	10A	EFSC316X	16A	X	B
EFSC310Y	10A	EFSC316Y	16A	Y	B
EFSC310W	10A	EFSC316W	16A	W	B
EFSC310Z	10A	EFSC316Z	16A	Z	B
EFSC510R	10A	EFSC516R	16A	R	C
EFSC510X	10A	EFSC516X	16A	X	C
EFSC510Y	10A	EFSC516Y	16A	Y	C
EFSC510W	10A	EFSC516W	16A	W	C
EFSC510Z	10A	EFSC516Z	16A	Z	C

**Reference details**



**Motor switch diagram arrangements**

Type R Contractor control with maintained OFF position	Type X Contactor control	Type Y Reverse motor starter control	Type W Impulse control	Type Z Man. aut. control

\* Diagram arrangements different than standard, please contact our sales dept.

REMARK:

Due to the development of the national and international specifications and of the technology, the above technical characteristics showed on this bulletin can be considered as binding on our confirmation only.